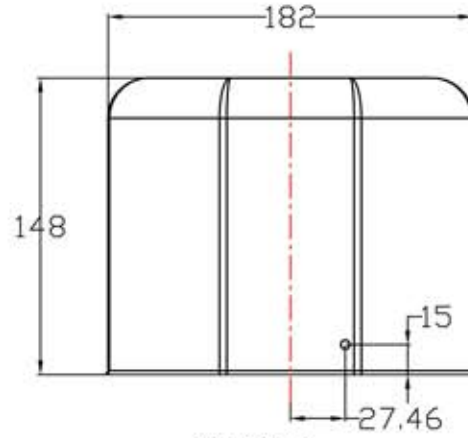
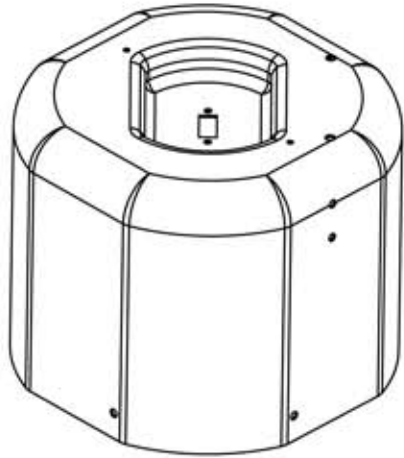
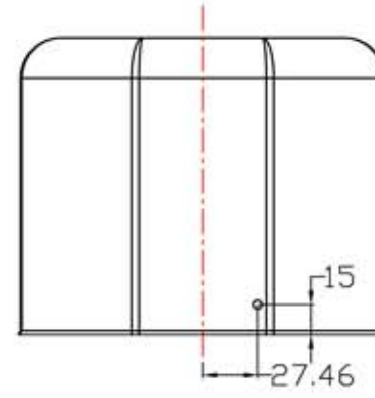


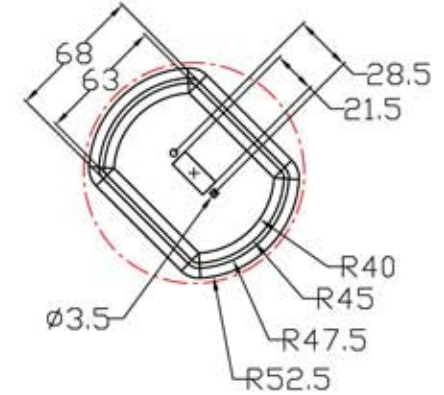
REV	DESCRIPTION	ORIGINATOR	CHECKED	DATE
0				



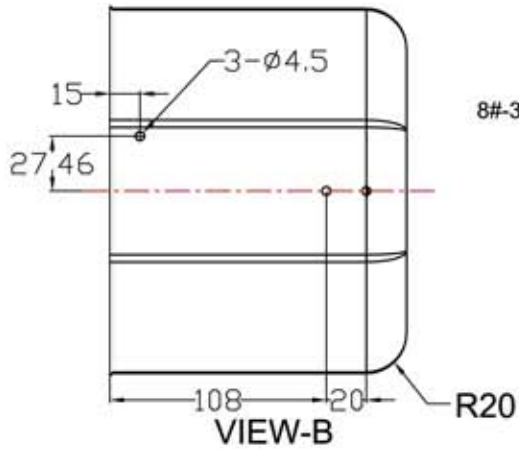
VIEW-C



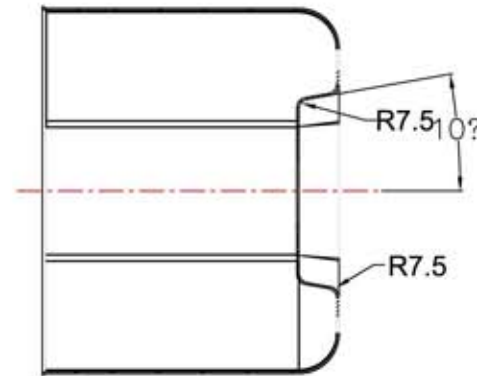
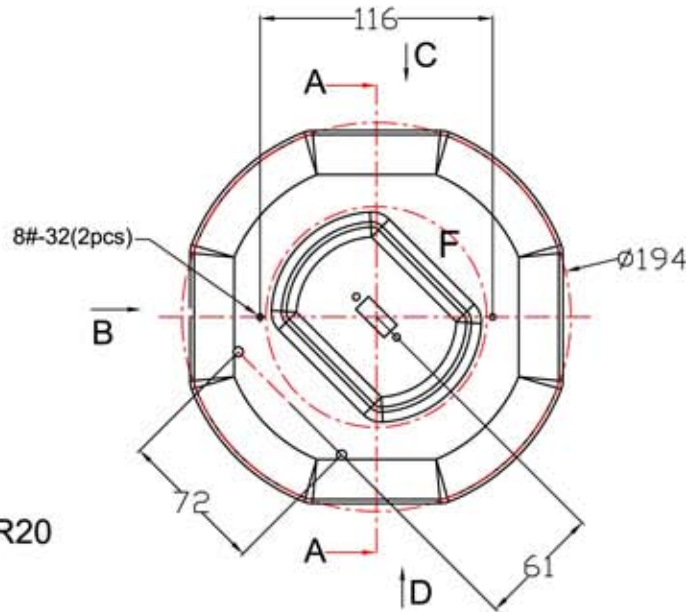
VIEW-D



DETAIL F



VIEW-B



SECTION A-A

UNLESS OTHERWISE SPECIFIED  
DIMENSIONS AND TOLERANCES  
ARE IN MM:  
DECIMALS ANGLES  
X.X ±0.5 ±0°30'  
X.XX ±0.2  
X.XXX ±0.05



SCALE: 1:1 UNIT: mm

APPROVALS  
APPROVED  
CHECKED  
DRAWN

DATE

FIRST PLANE  
PROJECTION  
DWR.NO:  
REF.NO:

TITLE: ICM6-730SET  
(Backcan)

REV 0

SHEET: 1/1