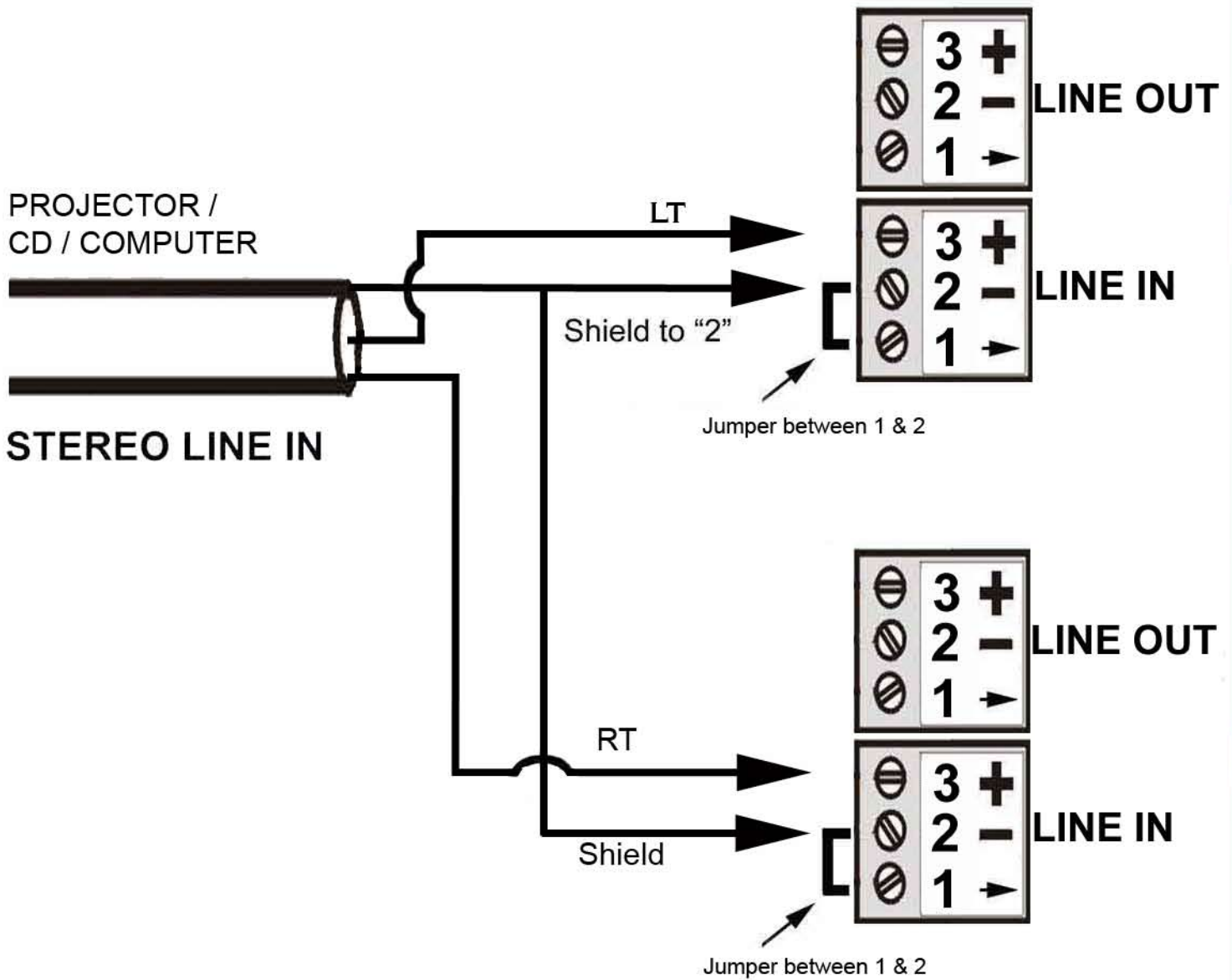




HOW TO BRING A STEREO SOURCE INTO THE AMPIC5/6, AMP3IC6 & AMP4IC6 (AN ACTUAL STEREO CLASSROOM)



07/23/08